

Features

Six point operation provides four supervised multi-state inputs and two relay outputs in a single package using only one address:

- For use with Simplex® 4100U Fire Alarm Control Panels operating with software revision 11 or higher and providing IDNet™ communications**
- Typical applications include fan motor control centers, monitoring fire pump motor running status, low pressure fuel warnings, and for multiple dual damper position feedback monitoring

Input/Output details:

- Four “T-Sense” inputs provide supervised monitoring of normally open, dry contacts
- Status conditions are Normal, Open Circuit (trouble condition), Current Limited (position input 1), and Short (position input 2)
- Total wiring distance to supervised contacts is up to 500 ft (152 m); for indoor wiring applications
- Two relay outputs with Form C contacts rated 2 A @ 30 VDC, and 1/2 A @ 120 VAC (resistive ratings)

Compact construction:

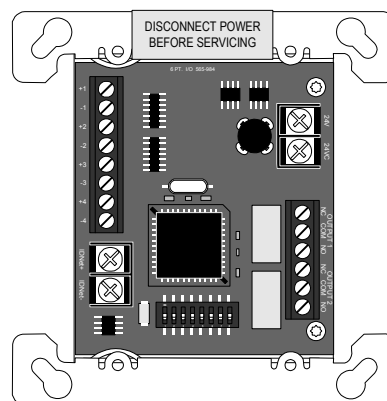
- Mounts in standard 4” square electrical box
- Visible LED flashes to indicate communications
- Screw terminals for wiring connections
- Optional covers are available to allow LED to be viewed after installation

UL Listed to Standard 864

Description

Single Address Six Point Module. The 4090-9120 Six Point Module allows a Simplex 4100U IDNet communication channel to monitor **four** T-sense input circuits and control **two** output relays from a single compact module requiring a single address. Power is supplied by a 24 VDC connection to a listed fire alarm power supply.

Multi-Point Device Description. The input circuits and output relay operation are controlled independently and may be disabled separately. Point association is determined at the 4100U host panel. At the 4100U host display, the device address is designated as a single hardware location (such as 1-1). Each of the six individual points appear as “sub-points” and are layered underneath (such as 1-1-1, 1-1-2, 1-1-3,1-1-6).



4090-9120 Six Point Module
(shown approximately 1/2 size)

T-Sensing Operation

Supervised Input. Each of the four input circuits monitors for continuity to an end-of-line resistor and can differentiate between a short circuit contact closure and a current limited contact closure.

Four State Operation. **Normal** is when all contacts are open and there is continuity to the end-of-line resistor; **Open** is when continuity does not exist to the end-of-line resistor, causing a Trouble condition; **Short**, indicates that a contact has closed that is directly connected to the input circuit; and **Current Limited** indicates that a contact has closed beyond a series connected current limiting resistor. This operation allows differentiation between two different contact types due to their wiring location, and reporting as a single IDNet addressable point to a 4100U fire alarm control panel.

Typical Applications

Efficient Package. For smoke control applications, this module provides an efficient package for fan damper control with position feedback. Monitor points can be connected to two separate status indicator switches per circuit, allowing the host panel to track fan damper status with respect to the requested fan control operation.

General Applications. The monitor and control points can be applied for a variety of associated or independent operations. Flexible programming abilities at the host panel can provide the association logic required for a wide variety of fire or utility operations.

* This product was not approved by MEA (NYC) or CSFM as of document revision date. Additional listings may be applicable, contact your local Simplex® product supplier for the latest status.

** IDNet addressable communications designs are protected by U.S. Patent No. 4,796,025.

Product Selection

Model	Description	
4090-9120	Six Point Module	
4090-9801	Optional trim plate with LED viewing window, includes mounting screws; painted beige	For semi-flush mounted box
4090-9802		For surface mounted box

T-Sense Input Operating Modes

Common Circuit Status Modes

Circuit Status	Device Status	Panel Display
Normal	Switches open	Normal
Open circuit	Wiring discontinuity	Trouble

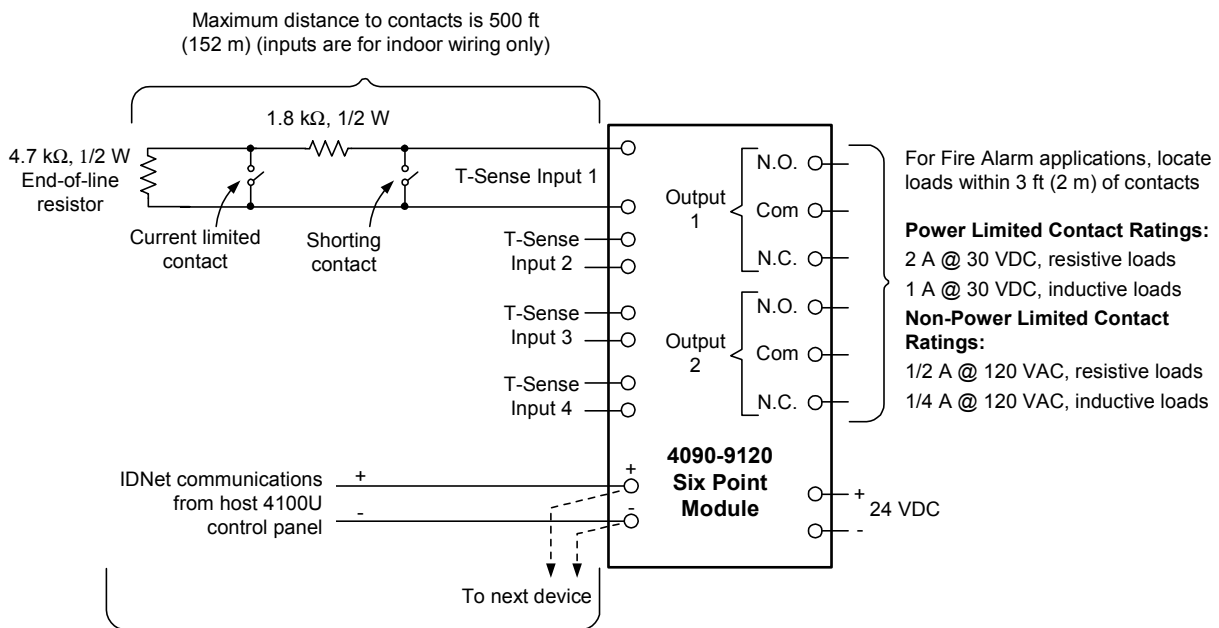
Damper Position Monitoring Status Modes

Circuit Status	Device Status	Typical Panel Display
Short	Switch A closed	Damper Closed
Current Limited	Switch B closed	Damper Open

Waterflow and Tamper Switch Monitoring Status Modes

Circuit Status	Device Status	Panel Display
Short	Waterflow switch closed	Fire Alarm
Current Limited	Tamper switch closed	Supervisory

Wiring Reference

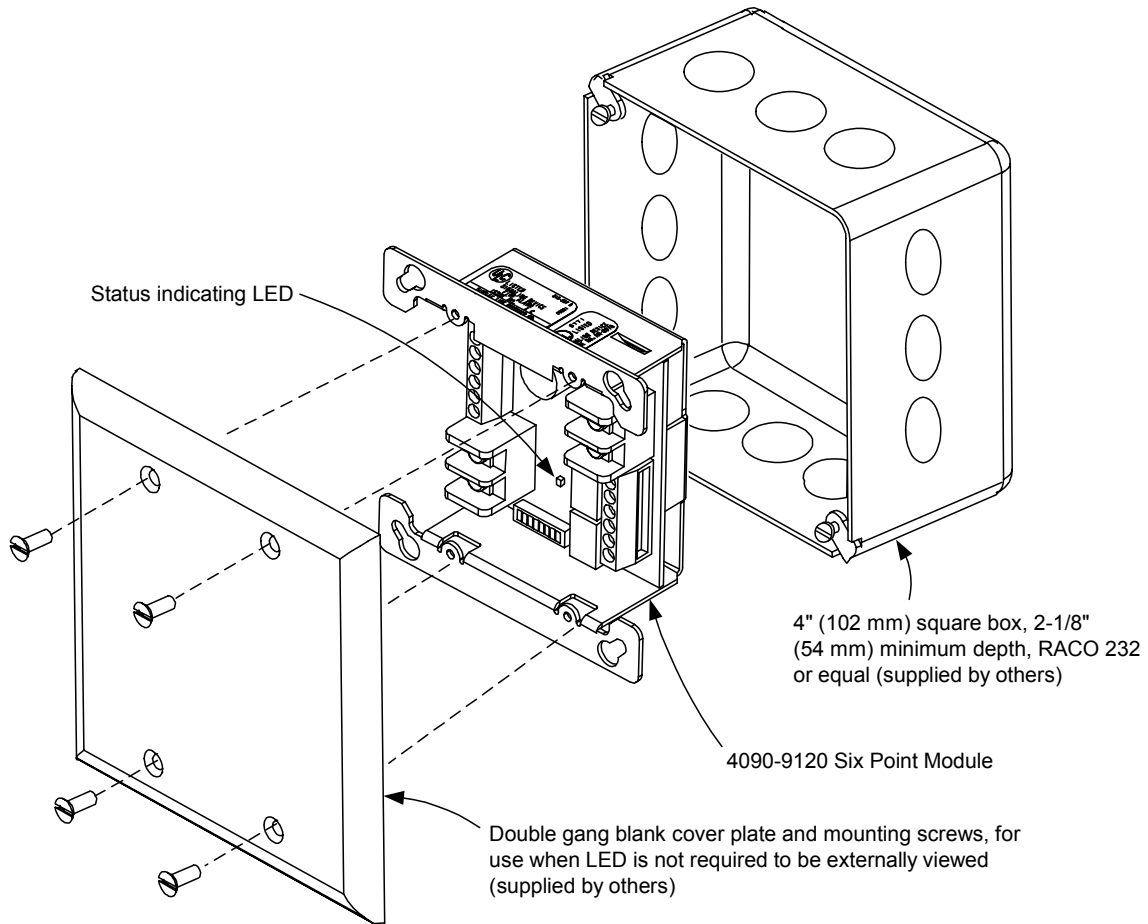


IDNet Wiring Distances:

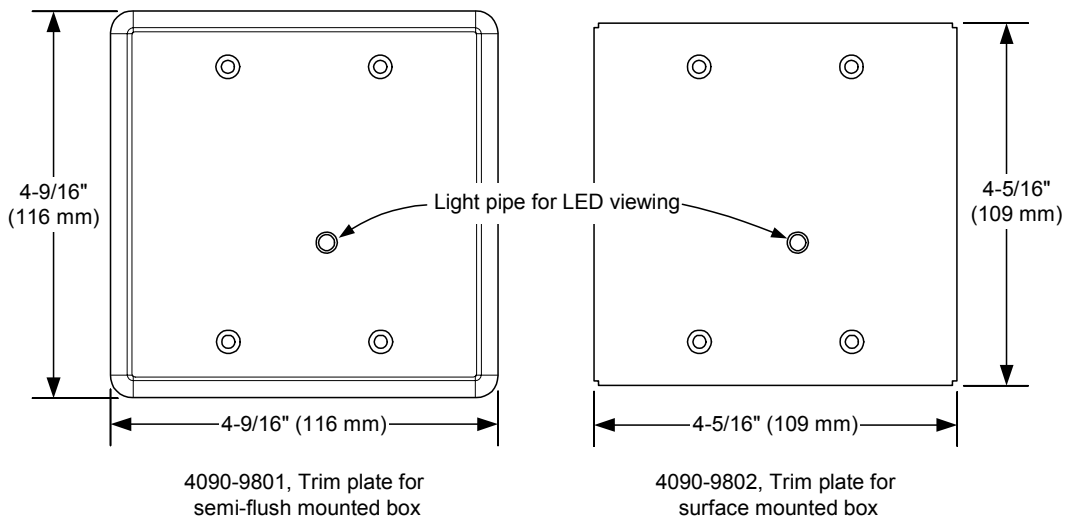
- Up to 2500 ft (762 m) from host control panel.
- Up to 10,000 ft (3048 m) total wiring distance, including "T" taps.

NOTE: Refer to Installation Instructions 574-876 for detailed installation information.

Mounting Information



Mounting Reference, Double Gang Blank Cover Plate



Optional Trim Plates for Visible LED

Specifications

Electrical		
Communications		4100U IDNet, one address
Input Power	Voltage	18 to 32 VDC (nominal 24 VDC)
	Current	30 mA maximum @ 24 VDC from listed fire alarm power supply
Input Requirements		Normally open dry contacts
		Up to 500 ft (152 m) total distance from Relay IAM
		For indoor wiring applications only
Input Supervision Resistors		Two required per T-sense input, refer to Installation Instructions 574-876 for additional information and wiring detail
Wire Connections		Screw terminals for input and output wiring, 18 to 14 AWG wire (0.82 mm ² to 3.31 mm ²)
Relay Contact Ratings, Form C (SPDT)	Power-Limited	2 A resistive, 1 A inductive @ 30 VDC
	Nonpower-Limited	1/2 A resistive, 1/4A inductive @ 120 VAC
IDNet Wiring Distance Reference		Up to 2500 ft (762 m) from the fire alarm control panel
		Up to 10,000 ft (3048 m) total Class B wiring distance including T-Taps
		Compatible with 2081-9044 Overvoltage Protectors
Mechanical		
Dimensions		4-1/8" H x 4-1/8" W x 1-3/8" D (105 mm x 105 mm x 35 mm)
Mounting Bracket		Galvanized sheet metal
Temperature		32° to 120° F (0° to 49° C) indoor operation only
Humidity Range		10 to 90% RH at 90° F (32° C)

Tyco, Simplex, the Simplex logo, and IDNet are trademarks of Tyco International Services AG or its affiliates in the U.S. and/or other countries.